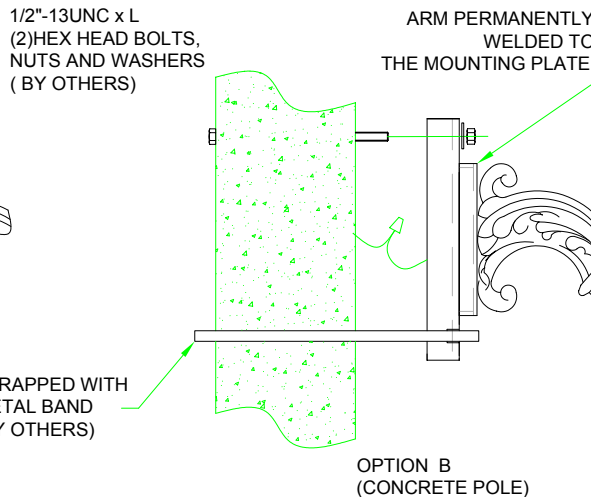
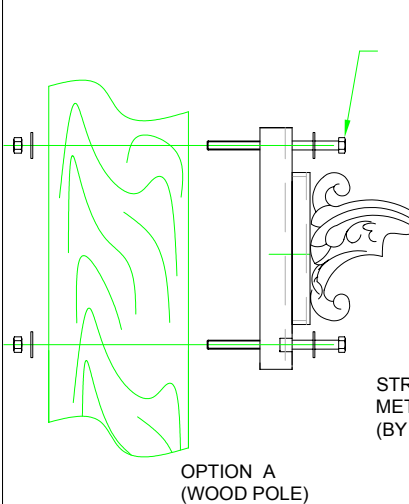
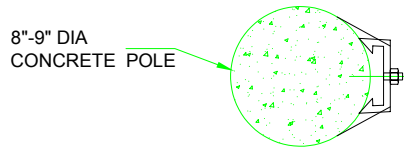
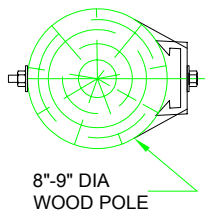
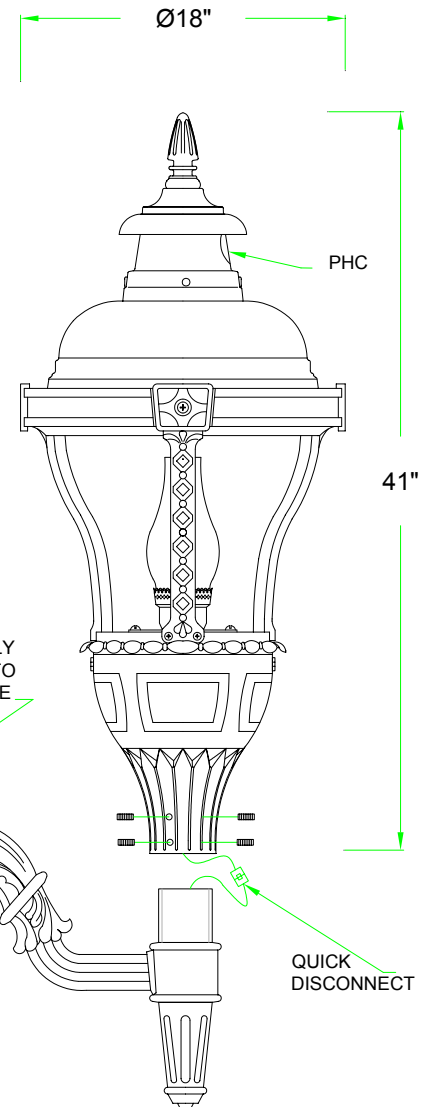
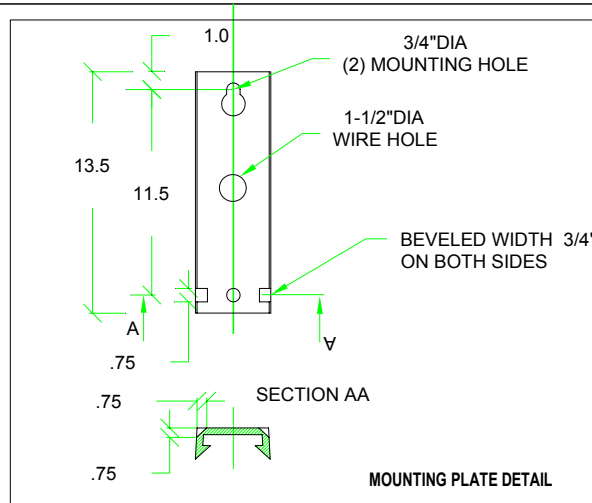


Please Note: Fabrication will not begin until this drawing is approved, signed and returned to HCI

- APPROVED
- APPROVED AS NOTED
- REJECTED
- REVISE AND RESUBMIT

By \_\_\_\_\_  
Date \_\_\_\_\_



(C) 2001 HCI (Heritage Casting & Ironworks). Illustrations are copyrighted. Unauthorized reproduction prohibited. In an ongoing effort to improve quality/design, Heritage reserves the right to modify specifications without notice.

**Diffuser Type:** Clear  
**Diffuser Material:** Acrylic U.V. stabilized.  
**Hardware:** Stainless steel.

**Luminaire Housing:** Spun and cast aluminum combination. Top is fully hinged for easy access to lamp and ballast. (Lamp by others)  
**Ballast:** MH high power factor mounted on removable plate. A quick disconnect wiring system allows for fast easy ballast maintenance.  
Wattage - 100W  
Voltage - 120V  
Socket - Medium (4KV).

**Photocontrol:** Luminaire integrated "twist-lock" type photocell 120V.

**Optical System:** Roadway type multi faceted, highly polished cutoff reflector.

**Light Distribution:** IES Type III

**Arm:** Decorative cast aluminum. PLEASE SPECIFY MOUNTING OPTION

**Finish:** Electrostatically applied thermoset polyester powder-coat with the XL4 four part corrosion inhibiting process.

**Colour:** Green RAL # 6005

## Approval Drawing

Luminaire: F162-L- A333WS

Date: July 10, 2003 Drawing No: 4366  
Model: F162-L-J3-CAC-100MH-120V-SR-3-PHC-A333-WS-RAL6005  
Project: Old Cabbagetown BIA

Please Note: Fabrication will not begin until this drawing is approved, signed and returned to HCI



1280 Fewster Drive, Mississauga, Ontario, Canada L4W 1A4  
Tel: (905) 238-2648 Fax: (905) 238-9060  
Toll Free Canada & USA 1-800-267-3175  
E: sales@hclighting.com WEB: www.hclighting.com