

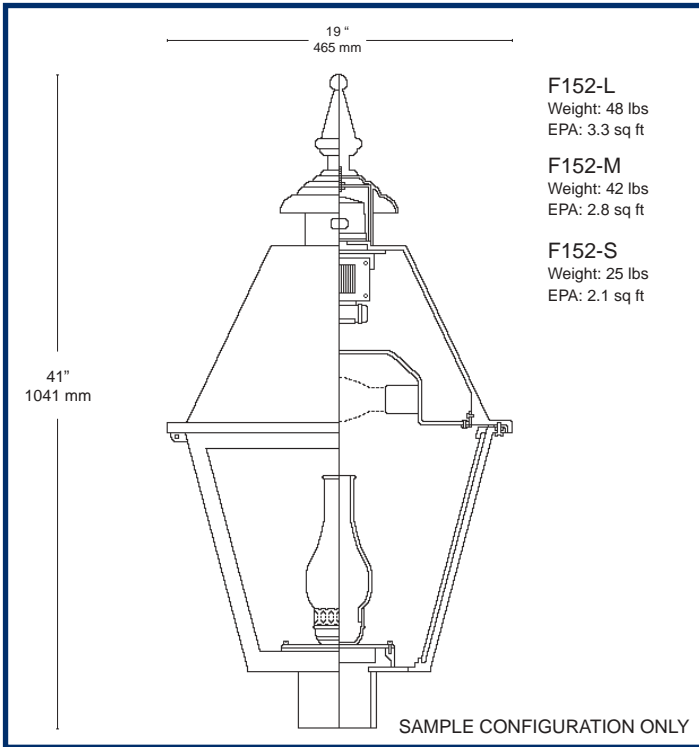
# F152 SERIES LUMINAIRES



**HCI**  
Heritage Casting & Ironworks

1280 Fewster Drive  
Mississauga ON L4W 1A4  
sales@hclighting.com  
www.hclighting.com  
Fax (905) 238-9060

Toll-free (800) 267-3175 Tel. (905) 238-2648



**F152-L**  
Weight: 48 lbs  
EPA: 3.3 sq ft

**F152-M**  
Weight: 42 lbs  
EPA: 2.8 sq ft

**F152-S**  
Weight: 25 lbs  
EPA: 2.1 sq ft

**Description.** The **F152** Series luminaire shall consist of a cast aluminum hood assembly, an aluminum cage, a multi-panel diffuser, an internal optical system and a slip fitter (capital). The hinged hood, equipped with a cast aluminum finial, shall rest on the aluminum cage, which shall consist of four diffuser panels, cast aluminum struts and a cast aluminum ring. The cage shall then in turn be welded to the cast aluminum fitter. An internal ballast assembly shall feature quick disconnect plugs for easy maintenance. The ballast shall be factory wired, tested and mounted on a keyed cast aluminum plate together with a 4kV porcelain socket. Lamps are not included and shall be supplied by others. All electrical components shall be UL listed and labeled.

**Installation.** The fixture shall slip fit onto a 3" OD or 4" OD tenon (specify) and shall be secured to the pole with three sets of two s/s hex socket screws spaced 120° apart.

**Finish.** All applicable parts shall receive a standard electrostatically applied thermoset polyester powder coat smooth semi gloss finish with a four part corrosion inhibiting process.

**To assemble a catalog number,** list all codes sequentially.

## 1. SIZE

- F152-L** (19"W x 41"H)
- F152-M** (16"W x 36"H)
- F152-S** (14"W x 24"H)

## 2. DIFFUSER TYPE

- CAC** Clear Acrylic
- CPC** Clear Polycarbonate
- FAC** Frosted Acrylic
- FPC** Frosted Polycarbonate
- WAC** White Acrylic
- WPC** White Polycarbonate
- CTG** Clear Tempered Glass

## 3. LIGHT SOURCE (indicate wattage)

- 50 - 250 **MH** <sup>1</sup> \_\_\_\_\_ W
- Option: pulse start ballast
- 35 - 250 **HPS** <sup>1</sup> \_\_\_\_\_ W
- CFL** Fluorescent \_\_\_\_\_ W
- INC** Incandescent \_\_\_\_\_ W

## 4. VOLTAGE (circle connected voltage)

- QT** (Quad Tap 120, 208, 240, 277)
- TT** (Tri Tap 120, 277, 347)
- NOTE:** Please circle connected voltage. If none is indicated, factory will pre-wire at 120V.
- 120V** Reactor
- 480** Single

## 5. OPTICS

- BR** glass refractor IES type III or V \_\_\_\_\_
- SR** horizontal cutoff segmented reflector IES type III or V <sup>2</sup> \_\_\_\_\_
- LV** louver reflector IES type V
- OC** dual optical cone IES type V <sup>3</sup>
- BL** bare lamp (recommended for white diffusers only)

## 6. OPTIONS

- FUS** internal fusing
- PEC** luminaire integrated locking photocell
- HSS** house side shield
- CHY** decorative glass chimney <sup>4</sup>

## 7. COLOR

- Black** RAL 9011
- Green** RAL 6005
- Bronze** RAL 8019
- Grey** RAL 7012
- White** RAL 9016
- Custom**

## NOTES

- <sup>1</sup> F152-S is limited to 100W max.
- <sup>2</sup> SR optics are not available with F152-M and F150-S.
- <sup>3</sup> OC optics are not available with F152-S.
- <sup>4</sup> Available with SR3 optics only.