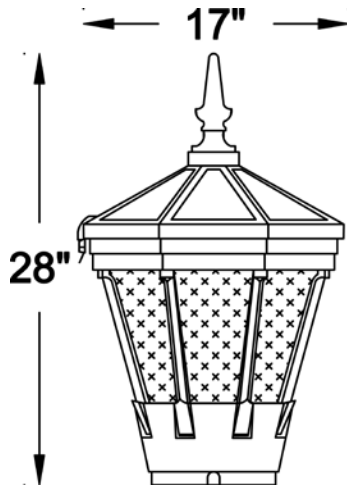


TRADITIONAL LUMINAIRES: F361 (VATICAN)



F361-L
Weight: 28 lbs.
EPA: 2.20 sq. ft.
Size: 17" W x 28" H



Specification Features

- Ornamental heavy gauge cast aluminum base
- Tool free hinges and latching system for easy access lamp/ballast
- Quick disconnect ballast system mounted on removable plate
- Integrated button photocell optional
- Suitable for wet locations
- Variety finials optional (see page 3)
- E39 mogul base or E26 medium base optional
- Powder coated finish

Product Ordering Number

SIZE	DIFFUSER TYPE	LIGHT SOURCE	VOLTAGE	OPTICS	FINIAL	OPTIONS	COLOR
F361-L	WAC White (opal) Acrylic	Up to 250 MH	QT (Quad tap 120, 208, 240, 277)	GR Glass refractor IES type III or V	FA	FUS Internal fusing	Black RAL 9011
	WPC White (opal) Polycarbonate	Options: Pulse start ballast	TT (Tri tap 120, 277, 347)	LV Louver reflector IES type V	FB FC FD FE FF	PCB Luminaire integrated button type photocell	GREEN RAL 6005
	FAC Frosted (stippled) Acrylic	Up to 250 HPS	120V Single	DO Dual optics IES type V	NONE	PEC Luminaire integrated locking photocell ²	BRONZE RAL 8019
	FPC Frosted (stippled) Polycarbonate	55, 85, 165 with Philips® QL ¹	480 Single	BL Bare lamp suggested with white diffusers		HSS House side shield	GREY RAL 7012
	CTG Ornamental Tempered Glass	CFL Fluorescent					WHITE RAL 9016
		INC Incandescent					CUSTOM
		LED Please contact HCI sales					

NOTES

¹ QL is available in 120V or 240V for 55W and 85W systems. Please specify. ² Available with fitter "A" and "L" only.