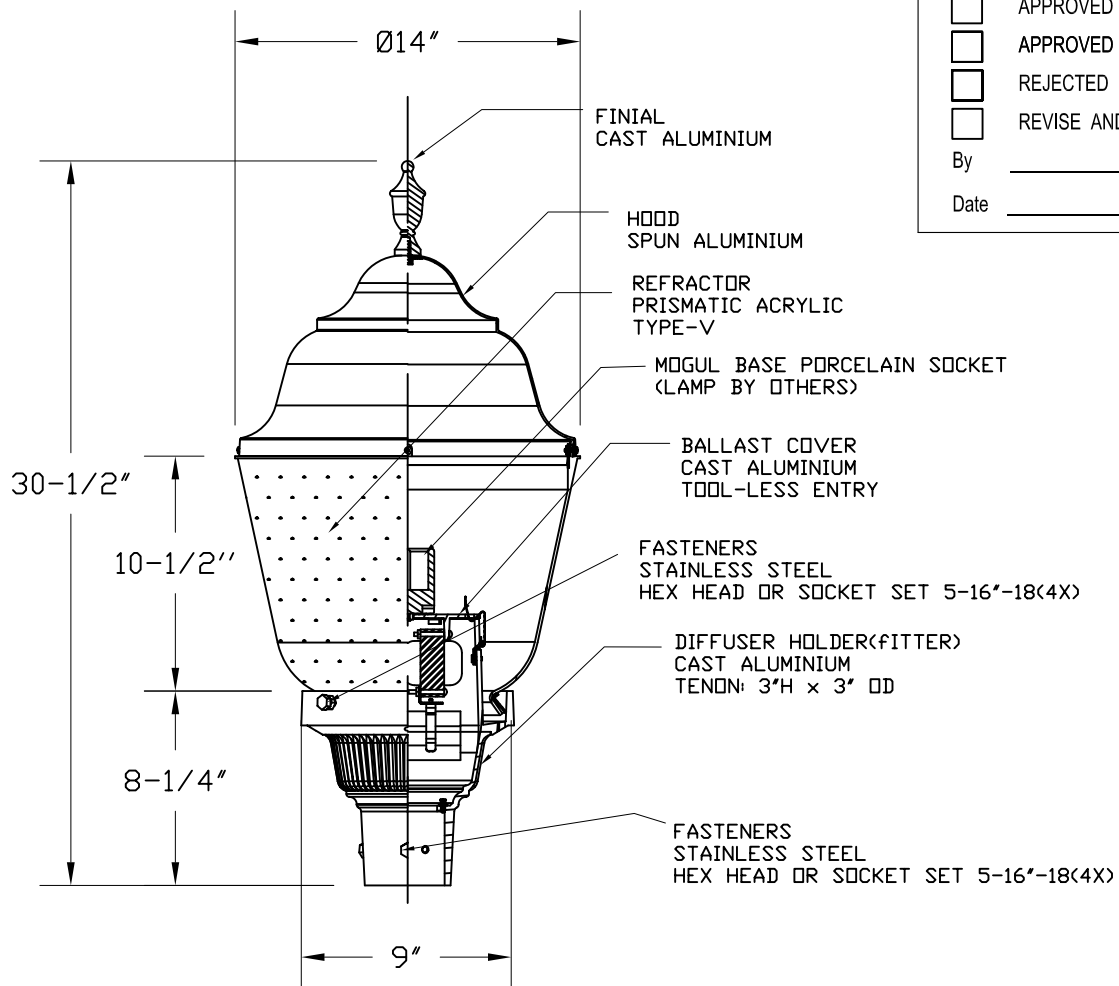


Please Note: Fabrication will not begin until this drawing is approved, signed and returned to HCI

APPROVED
 APPROVED AS NOTED
 REJECTED
 REVISE AND RESUBMIT
 By _____
 Date _____



(C) 2006 HCI (Heritage Casting & Ironworks). Illustrations are copyrighted. Unauthorized reproduction prohibited. In an ongoing effort to improve quality/design, Heritage reserves the right to modify specifications without notice.

Diffuser Type: External

Diffuser material: Prismatic acrylic U.V. stabilized

Luminaire Housing: A spun aluminum hood assembly and a mechanically fastened slip fitter. Ballast kit is securely mounted with three stainless steel clips for easy ballast maintenance.

Ballast: HPS high power factor mounted on removable plate with a quick disconnect wiring system allows for fast easy ballast maintenance.
(Lamp by others)

Wattage - 50W -150 W
 Voltage - Multi-tap
 Socket - Mogul (4KV).

Optical System: Bare lamp

Light Distribution: IES Type V

Photocontrol: None

Hardware: Stainless steel.

Tenon info: 3"H x 3"OD

Finish: Electrostatically applied thermoset polyester powder-coat with the XL4 four part corrosion inhibiting process.

Colour: RAL9011

Approval Drawing

Luminaire P/N: F121-S

Date: JULY 8, 2008 Drawing No: 10352
 Model: F121-S-R-EAC-XXHPS-QT(VOLT)-BL(V)-FE-RAL9011

Project: N/A

Approved as illustrated: Date:

Approved with changes: Date:

Approved By:

Type: Notes:

Please Note: Fabrication will not begin until this drawing is approved, signed and returned to HCI



1280 Fewster Drive, Mississauga, Ontario, Canada L4W 1A4
 Tel: (905) 238-2648 Fax: (905) 238-9060
 Toll Free Canada & USA 1-800-267-3175
 E: sales@hcilighting.com WEB: www.hcilighting.com